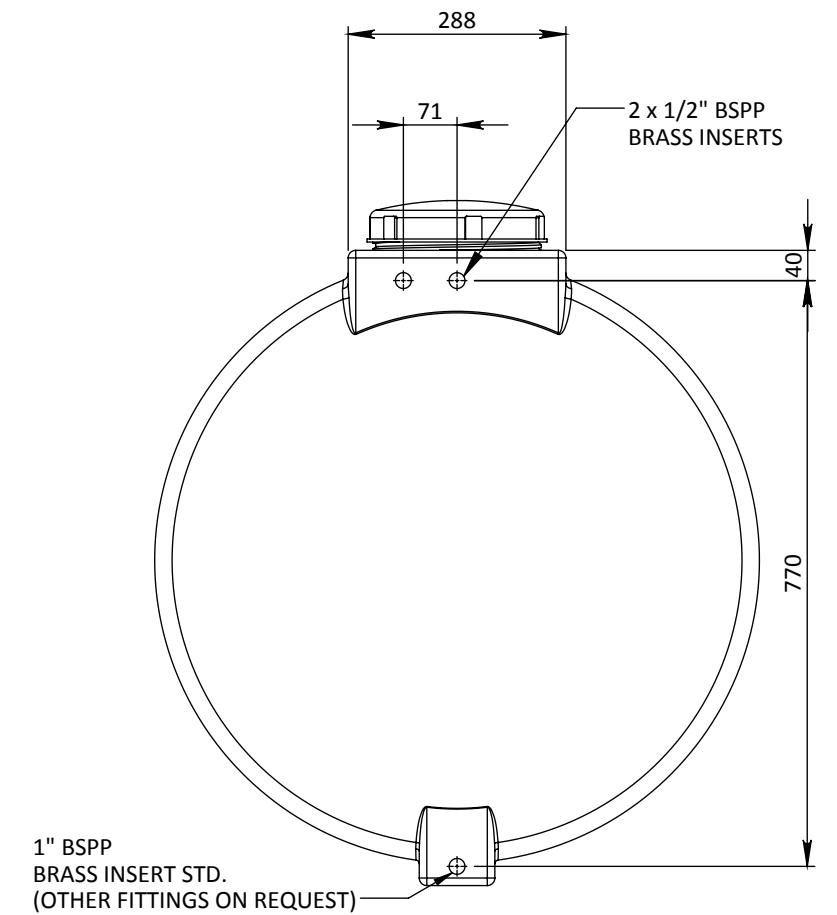
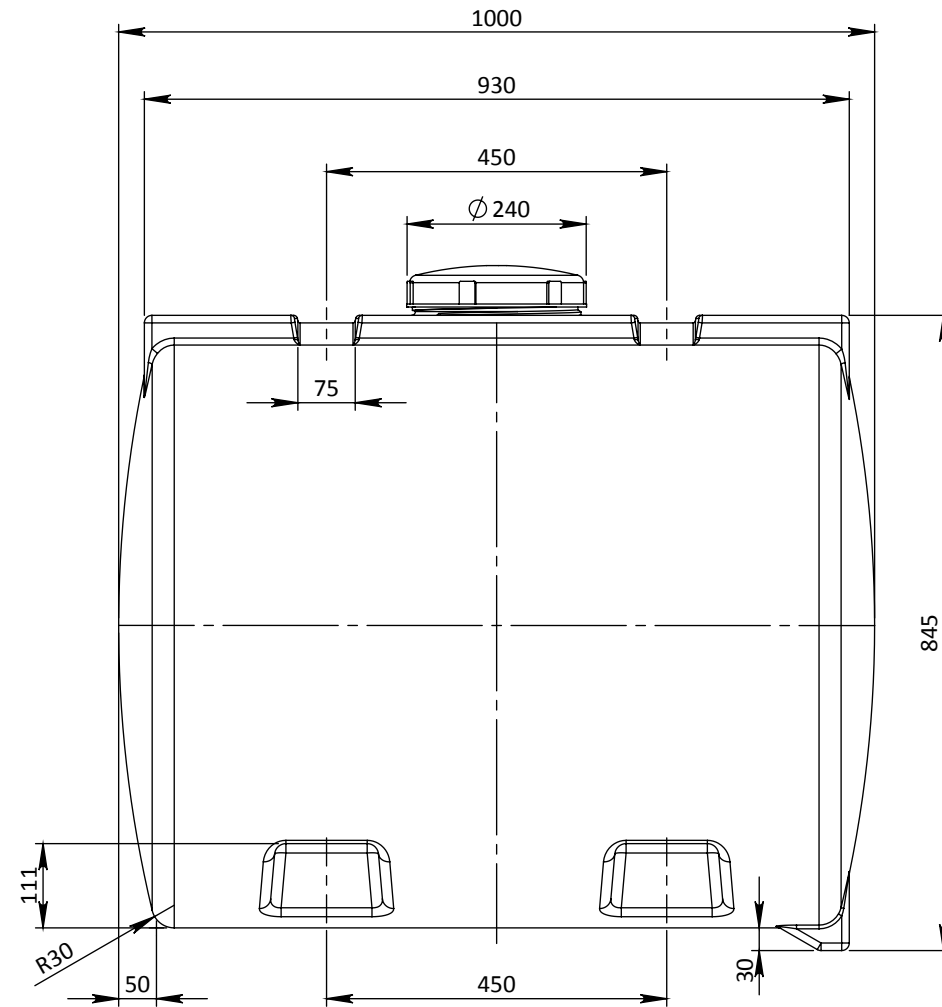
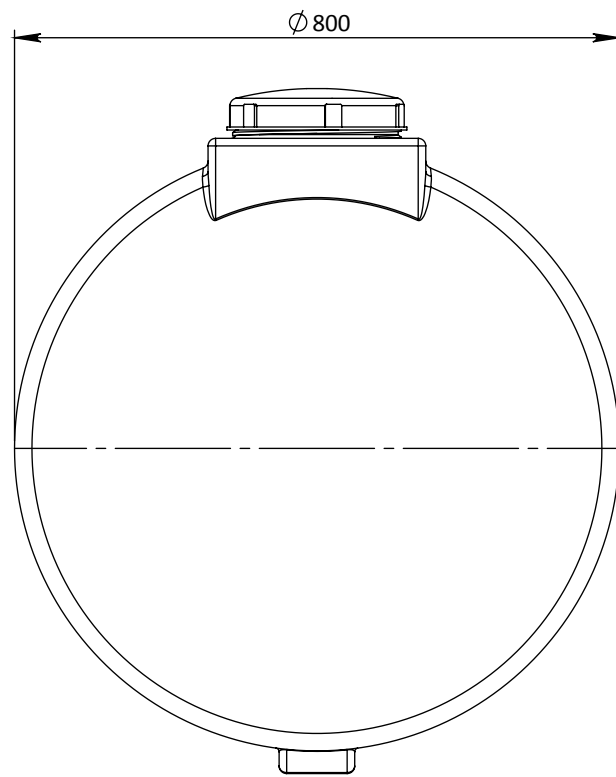


DIMENSIONAL VARIATION
 NOTE: UNLESS NOTED OTHERWISE,
 PLEASE ALLOW FOR SIZE VARIATIONS
 DUE TO THE ROTATIONAL MOULDING PROCESS
 DIMENSIONS <200mm - ALLOW ±3mm
 DIMENSIONS 200 - 1000mm - ALLOW ± 5mm
 DIMENSIONS >1000mm - ALLOW ± 10mm



MATERIAL: ROTOMOULDED U.V STABILISED POLYETHYLENE

PRODUCT DRAWING

REV	DATE	REVISION DESCRIPTION	DRAWN	CHKD	LEAD ENG
0	16.06.17	PRODUCT DRAWING	DH		



A.C.N. 010 028 547
 Gough Industries Pty. Ltd.
 833 Ingham Road
 Bohle, Townsville
 P.O. Box 7570, Garbutt BC, Qld. 4814.
 Telephone 07 47747606
 Facsimile 07 47747608

CLIENT LOGO.

400L CARTAGE TANK

SCALE
 DO NOT SCALE

A3 FFAR500.0401

A REV

S:\Products\Rural\Cartagetanks\400L\Sales&Marketing\400L Cartage tank