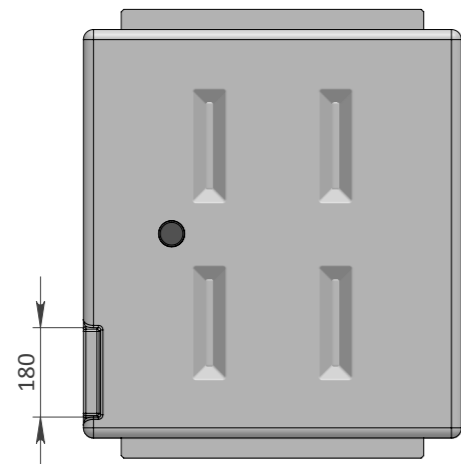
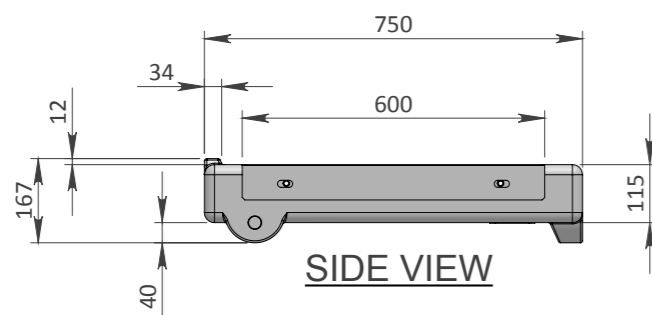


## 50L DIESEL SLIMLINE Underbody

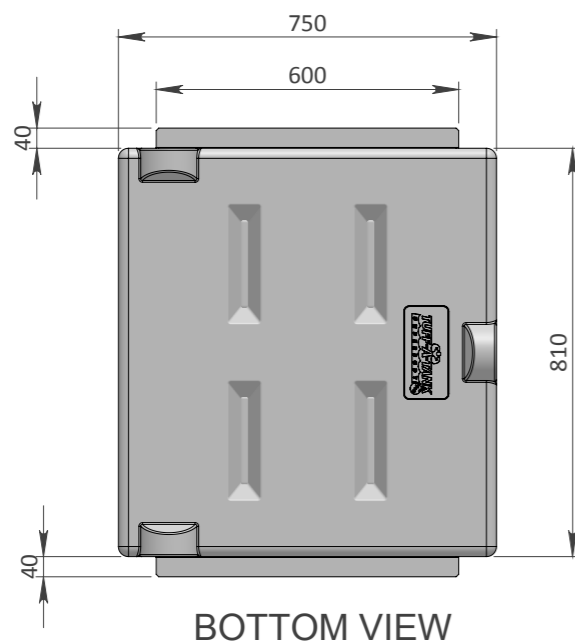
**TOLERANCES**  
 NOTE: UNLESS NOTED OTHERWISE,  
 PLEASE ALLOW DIMENSIONAL TOLERANCES  
 DUE TO FABRICATION PROCESS AND  
 POLYETHYLENE THERMAL EXPANSION  
 DIMENSIONS <200mm - ALLOW ±3mm  
 DIMENSIONS 200 - 1000mm - ALLOW ± 5mm  
 DIMENSIONS >1000mm - ALLOW ± 10mm



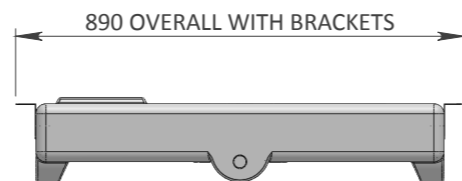
TOP VIEW



SIDE VIEW

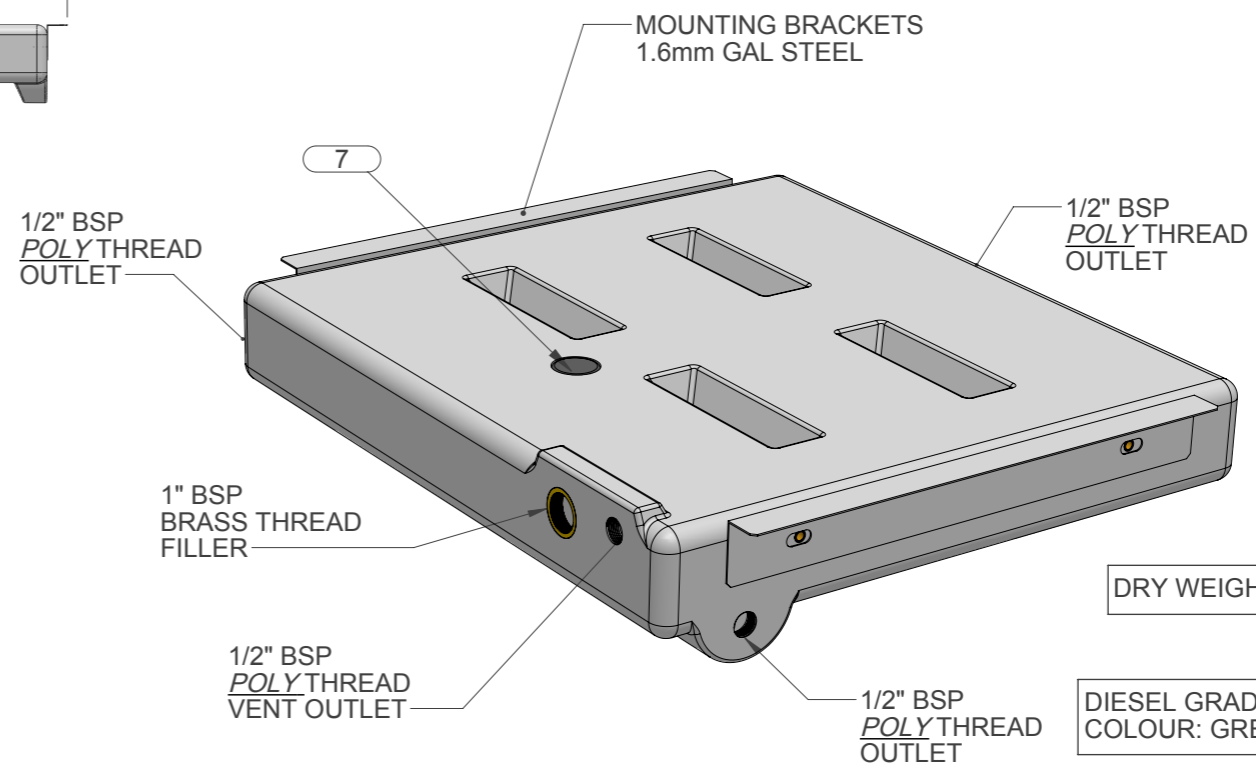


BOTTOM VIEW



END VIEW

MARK	PART	MATERIAL	QTY	PART CODE	DRAWING REF.
1	50L DIESEL SLIMLINE TANK	DIESEL GRADE POLYETHYLENE	1	BOX405.8050.3	
2	50L MOUNTING BKT.	1.6mm GALVANISED SHEETMETAL	2	PARBKT0046	PARBKT0046
3	BRACKET BOLT	M10 x 25 HEX HD. ZP.	4	PARSCR0305	
4	SPRING WASHER	M10 x3.5x2.2 ZP.	4	PARSCR0504	
5	FLAT WASHER	M10 25 O.D x 2mm ZP.	4	PARSCR0503	
6	1" BRASS INSERT	BRASS	1	PARSCR4025	
7	2" BLACK GROMMET	P769	1	PARPLF1780	
8	1/2" POLY PLUG	POLY PLUG , HEX W/O-RING	2	PARPLF1721	
9	10mm THREADED INSERTS	BRASS	4	PARSCR0003	



DRY WEIGHT: 12 KG APPROX.

DIESEL GRADE POLYETHYLENE  
COLOUR: GREY

REV	DATE	REVISION DESCRIPTION	DRAWN	CHKD	LEAD ENG
A	16.10.18	AS BUILT	DH		

**GOUGH PLASTICS**  
 A.C.N. 010 028 547  
 Gough Industries Pty. Ltd.  
 833 Ingham Road  
 Bohle, Townsville  
 P.O. Box 7570, Garbutt BC, Qld. 4814.  
 Telephone 07 47747606  
 Facsimile 07 47747608

CLIENT LOGO.

50L UNDERBODY DIESEL SLIMLINE

SCALE: NTS

A3

Gough Plastics Drg. No. **DOM-DIESEL-50-S**

A

S:\Products\Domestice\Underbodies\PDF's