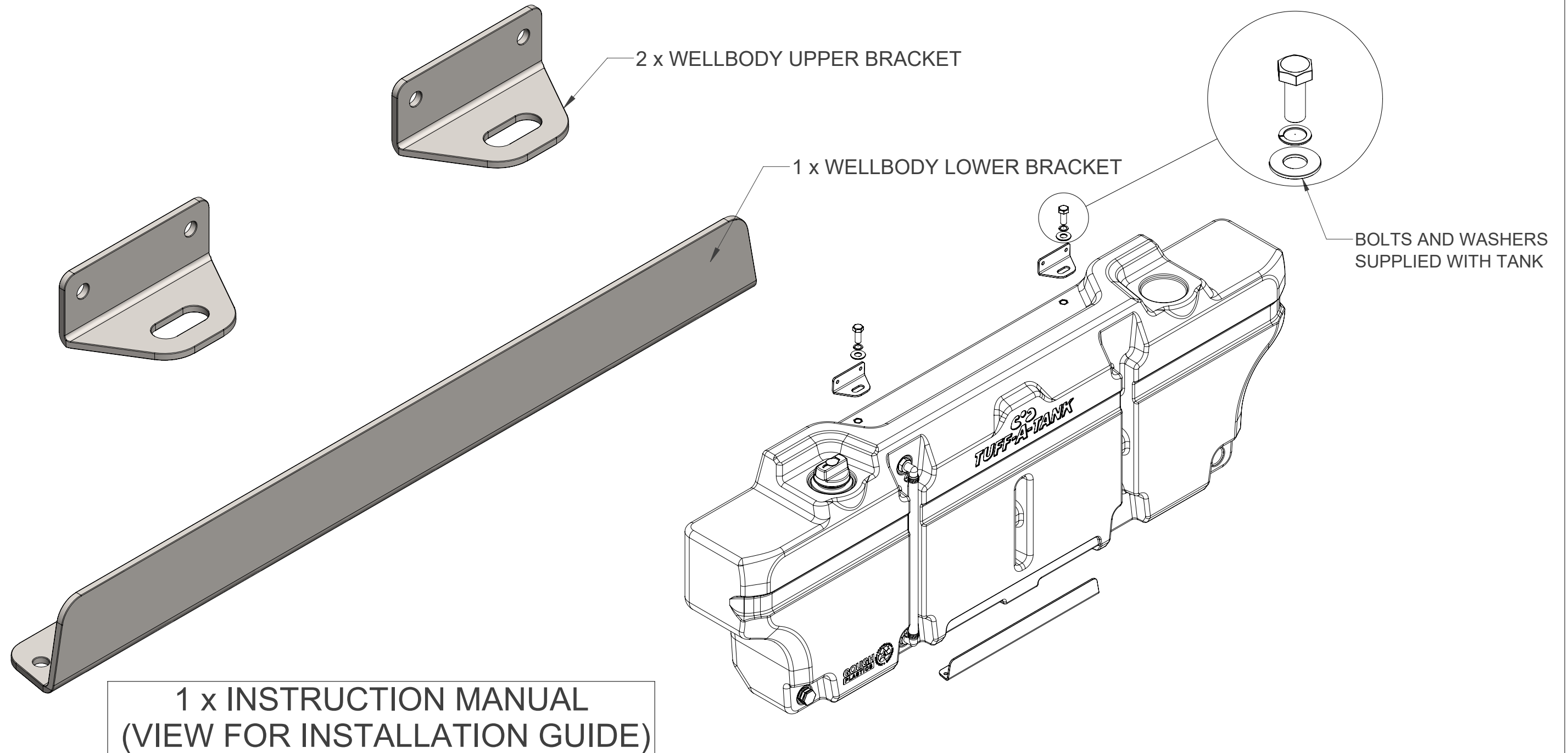


# VS BRACKET KIT

## 55 L WELLBODY TANK



ITEM	DESCRIPTION	PART No.	QTY.
1	VS Wellbody Upper Bracket	PARBKT0108.1	2
2	VS Wellbody Lower Bracket	PARBKT0108	1

**ALL BRACKETS 3 mm GAL SHEET**

A	5/10/2021	KIT DRAWING	MC	DH	
REV	DATE	REVISION DESCRIPTION	DRAWN	CHKD.	ENG.



A.C.N. 010 028 547  
Gough Industries Pty. Ltd.  
833 Ingham Road  
Bohle, Townsville  
P.O. Box 7570, Garbutt BC, Qld. 4814.  
Telephone 07 47747606  
www.gough.com.au

CLIENT LOGO.

**VS 55 L Wellbody Bracket Kit**

SCALE  
NTS A3

GOUGH PLASTICS DRAWING No.

**FBOX408.1005.6**

REVISION  
**A**

SOLDWORKS: S:\Solidworks\Parts Library\Brackets\Vertical Slim Brackets\VS 55 L Wellbody Bracket Kit

PDF. FILE PATH: S:\Products\Domestic\Procedures Domestic\Domestic Fitout\Domestic Fitout Spec Drawings\VS Tanks

Dimensions are in millimetres (mm) unless noted.